

Project		Catalog #		Type	
Prepared by		Notes		Date	



Metalux

LHBS Selectable

CCT and Lumen Select Lensed High Bay

Typical Applications

- Industrial • Manufacturing • Gymnasium • Warehouse

Interactive Menu

- Order Information [page 2](#)
- Photometric Data [page 3](#)
- Dimension and Size [page 4](#)
- Product Warranty

Top Product Features

- Up to 36,000 lumen output at min 80 CRI
- (2) Lumen and CCT Select external switches with lock-out cover
- Standard diffused lens for added protection and glare control
- High performance efficacy up to 160 lm/W
- Efficient 1-for-1 replacement of linear fluorescent and HID fixtures
- Sensor and emergency options available

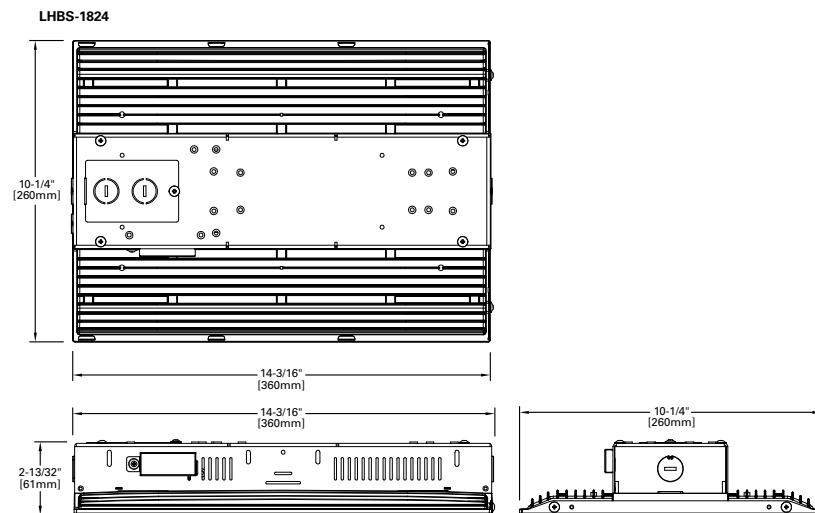
Product Certification



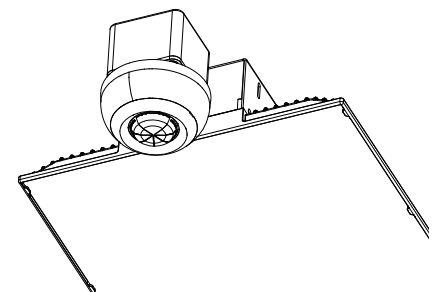
Product Features



Dimensional Details



ZW-SWPD3 Sensor



[additional product diagrams](#)

Order Information

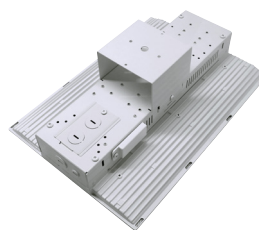
SAMPLE ORDER NUMBER: **LHBS-1218-UNV-L84050-U** Includes V Hangers and (2) 18" pieces of chain for rapid installation

Series	LED Lumen Output	Lens/Optic	Voltage	CCT	Driver Type	Options	Packaging
Series ⁽¹⁾	LED Lumen Output	Lens/Optic ⁽²⁾	Voltage	CCT	Driver Type	Options	Packaging
LHBS=Linear Lensed High Bay Selectable	1218=12K and 18K Select 1824=18K and 24K Select 2436=24K and 36K Select	[Blank]=Diffused Lens	UNV=Universal Voltage 120-277	L84050=4000K and 5000K CCT select	[Blank]=0-10V Dimming Driver	EL20W-REM=EM pack, remote installation, 20W C6=6' cord, 18/3, white C12=12' cord, 18/3, white PC6/277=6' white cord, 18/3, with 277V, 15A NEMA twist-lock plug PC12/277=12' white cord, 18/3, with 277V, 15A NEMA twist-lock plug MS=Motion Sensor (360° or 180°), No Photocell OEFP010VMV=Occupancy Sensor with Integrated Photocell ZW-SWPD3=WaveLinX Wireless Sensor, Sidecar mount, with 1200 sq. ft. coverage ⁽²⁾	U=Unit Pack
Notes						Notes	
(1) DesignLights Consortium® Qualified and classified for DLC Premium, refer to www.designlights.org for details.						For expedited delivery of LHB with options, choose the Rapid Response program. Click hot link for details. (2) Cannot be combined with EL20W-REM in LHBS-1218 or LHBS-1824 models.	

Accessories

Accessories (order separately)
LHBS-WG13=Wireguard Kit for LHBS-1218 LHBS-WG14=Wireguard Kit for LHBS-1824 LHBS-WG20=Wireguard Kit for LHBS-2436 LHBS-SMK=Surface Mount Kit ⁽³⁾ LHBS-PMK=Pendant Mount Kit ⁽³⁾ Loop-_=Single loop toggle, No 2. (Specify 10 or 30 foot length) ⁽⁴⁾ OEF-P-2MHO-MV-SL=Motion sensor, 360 degrees, 120-277V, end mount - field installed
Notes
(3) Rigid mount not recommended for use in gymnasiums. (4) Single Loop, Order two per fixture. Use in conjunction with included V-hook.

Surface Mount Kit



Wire Guard



Pendant Mount Kit



Product Specifications

Construction

- Full body construction with center driver housing for added durability and thermal control
- Surface, pendant or stem mount capable. See available mounting options.

Electrical

- Long-life LED system with electrical driver for optimal performance
- Two CCT select option available at ≥ 80CRI in 4000K or 5000K
- Lumen select option available in full, or low brightness, see performance table and ordering logic
- Operating temperature of -20°C to 50°C
- Default CCT/Lumen setting is 4000K and high power

Finish

- Standard white polyester powder coat finish painted after fabrication for increased durability and rust inhibition

Optics

- Diffused lens provides added protection and glare control

Mounting

- V-hook and chain set included for making LHBS ideally suited for suspension mount
- Use in areas where mounting heights are 25ft to 40ft high.

Emergency

- 120-277V emergency 20W battery pack
- Self-diagnostics emergency battery automatically performs monthly test and monitors battery performance per UL924 (10th ed. May 2022)
- Constant power to the LED system for controlled, predictable discharge
- Integrated IP65 rated test switch/indicator light visible from floor
- Min. 90-minute backup period for code compliance
- Remote mounted lithium battery installed in field. Factory installed option available.
- Test switch assembly is UL2043 plenum-rated
- Battery meets CEC Title 20 (California Energy Commission) efficiency standards

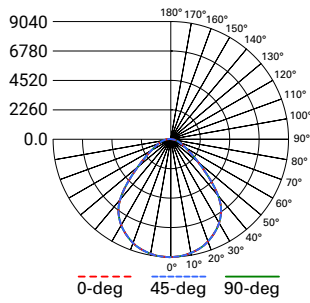
Compliance

- cULus Listed for damp locations
- RoHS compliant
- Complies with IESNA LM-79 and LM-80 standards
- Qualifies as State of California Title 24 non-residential high efficiency luminaire
- FCC part 15 class A compliant
- DesignLights Consortium® Qualified and classified for DLC Standard and DLC Premium (refer to www.designlights.org)

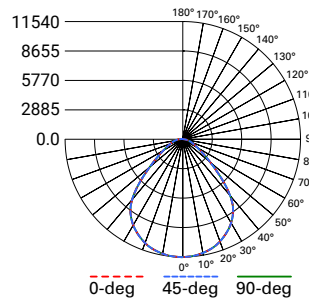
WaveLinX Lite devices are not currently compatible with the WaveLinX Pro Wireless Area Controller

Photometric Data

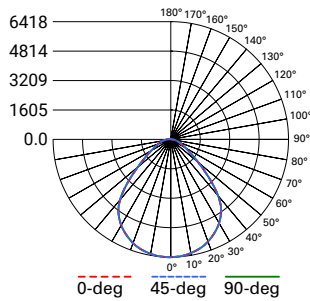
[View IES files](#)



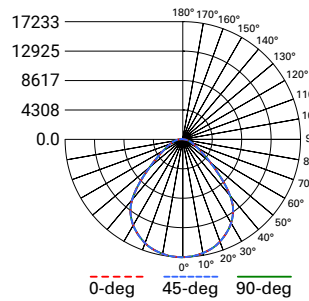
LHBS-1824-UNV-L84050
 Electronic Driver
 Linear LED 5000K
 Spacing criterion: (II) 1.24 x mounting height, (⊥) 1.24 x mounting height
 Lumens: 18789
 Input Watts: 119.2W
 Efficacy: 157.6 lm/W
 Test Report: LHBS-1824-UNV-L84050 (18K LUMEN 5000K CCT SETTINGS)



LHBS-1824-UNV-L84050
 Electronic Driver
 Linear LED 5000K
 Spacing criterion: (II) 1.24 x mounting height, (⊥) 1.24 x mounting height
 Lumens: 23984
 Input Watts: 159.1W
 Efficacy: 150.7 lm/W
 Test Report: LHBS-1824-UNV-L84050 (24K LUMEN 5000K CCT SETTINGS)



LHBS-1218-UNV-L84050
 Electronic Driver
 Linear LED 5000K
 Spacing criterion: (II) 1.23 x mounting height, (⊥) 1.23 x mounting height
 Lumens: 13059
 Input Watts: 85.4W
 Efficacy: 152.9 lm/W
 Test Report: LHBS-1218-UNV-L84050 (12K LUMEN 4000K CCT SETTINGS)



LHBS-2436-UNV-L84050
 Electronic Driver
 Linear LED 5000K
 Spacing criterion: (II) 1.24 x mounting height, (⊥) 1.24 x mounting height
 Lumens: 35912
 Input Watts: 241.5W
 Efficacy: 148.7 lm/W
 Test Report: LHBS-2436-UNV-L84050 (36K LUMEN 4000K CCT SETTINGS)

Energy and Performance Data

Default CCT/Lumen position: 4000K / High Power

Catalog Number	UPC	Voltage	Lumen Setting	Nominal CCT	CRI	Nominal Lumens	120V		277V	
							Watts	Efficacy (lm/W)	Watts	Efficacy (lm/W)
LHBS-1218-UNV-L84050-U	080083274741	120-277V	Low	4000K	84	13059	85	153	86	152
				5000K	82	12929	86	150	87	149
			High	4000K	84	18275	124	147	122	150
				5000K	82	17862	126	142	124	144
LHBS-1824-UNV-L84050-U	080083275625	120-277V	Low	4000K	84	18880	119	159	118	160
				5000K	83	18789	119	158	118	159
			High	4000K	84	24153	156	155	153	158
				5000K	83	23984	159	151	156	154
LHBS-2436-UNV-L84050-U	080083276141	120-277V	Low	4000K	84	24388	155	157	154	158
				5000K	84	24323	156	156	155	156
			High	4000K	83	35912	242	149	232	155
				5000K	83	35600	246	145	236	151

Lumen Maintenance

Ambient Temperature	TM-21 Lumen Maintenance (60,000 hours)	Theoretical L70 (Hours)
25°C	> 87%	> 154,000

Shipping Data

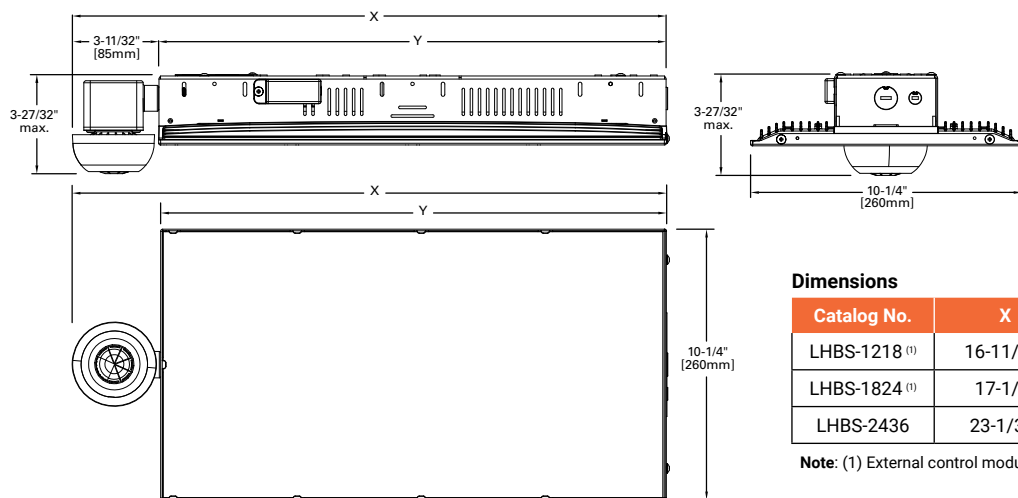
Catalog No.	Wt.
LHBS-1218	3.7 lbs.
LHBS-1824	4.5 lbs.
LHBS-2436	6.5 lbs.

Ambient Ratings

Lumen Package	Ambient Rating
LHBS-1218	50°C
LHBS-1824	50°C
LHBS-2436	50°C

Dimensional and Mounting Details

LHBS with ZW-SWPD3 Sensor

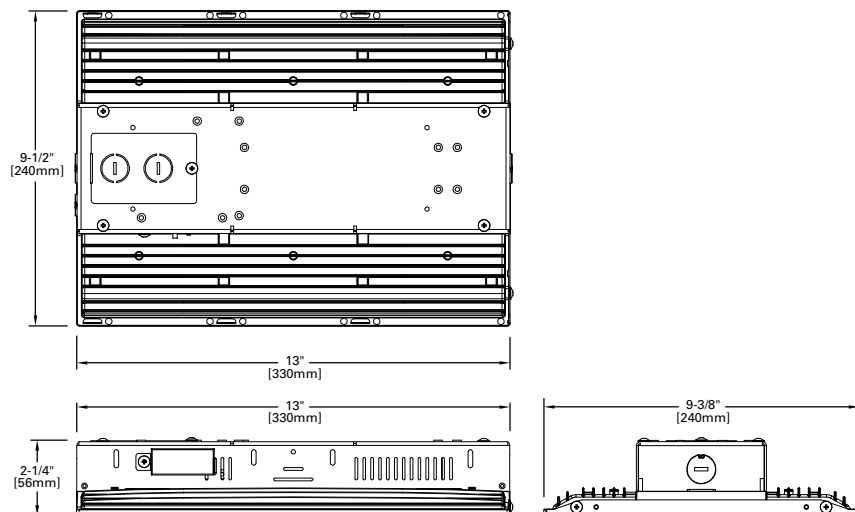


Dimensions

Catalog No.	X	Y
LHBS-1218 ⁽¹⁾	16-11/32"	22-1/4"
LHBS-1824 ⁽¹⁾	17-1/2"	23-3/8"
LHBS-2436	23-1/32"	19-11/16"

Note: (1) External control module adds to product length.

LHBS-1218



LHBS-2436

